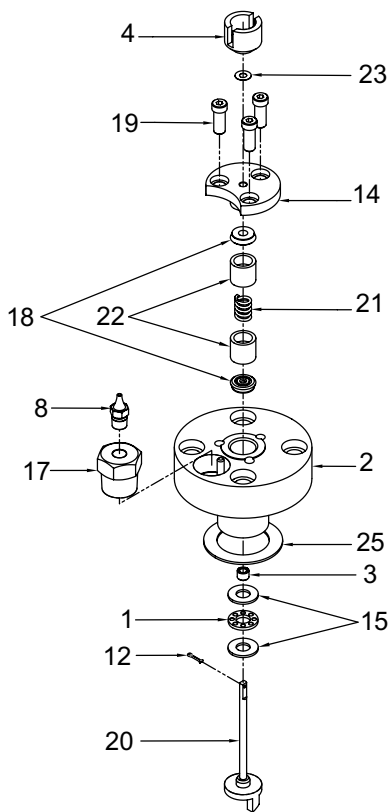


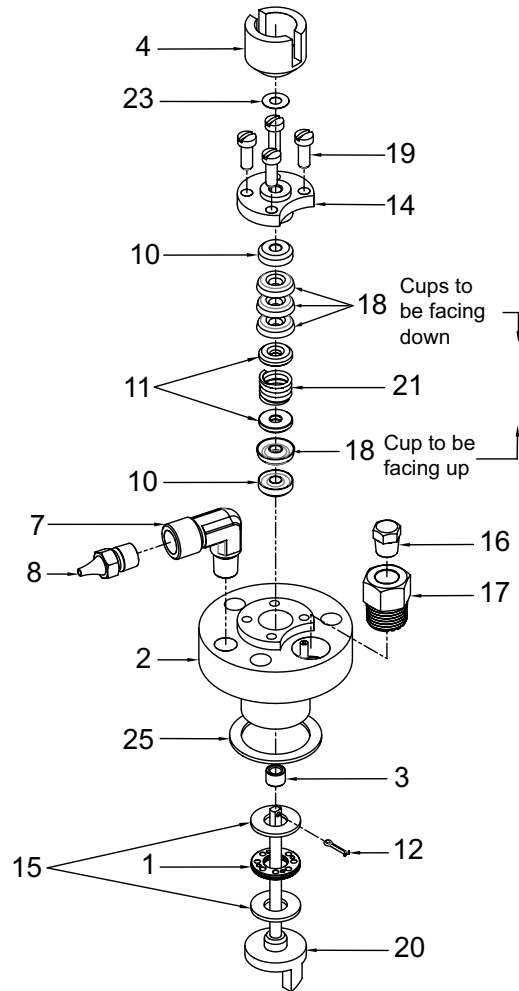
Packing Glands

Bulletin PO01042 Issue/Rev. 0.2 (10/21)

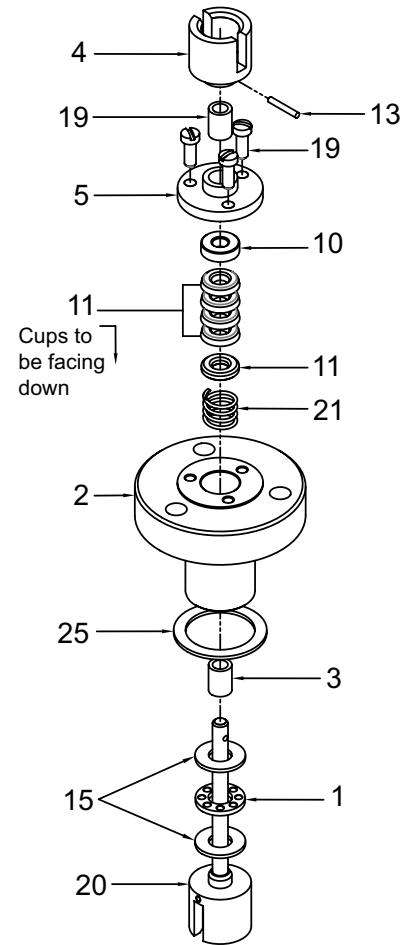
HP-2



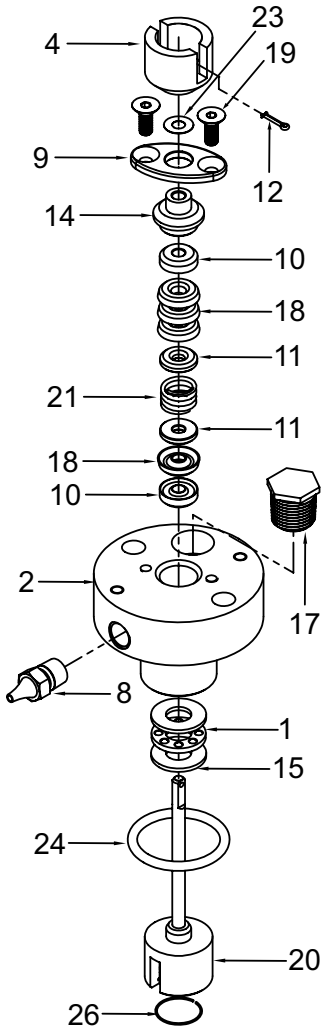
HP-4



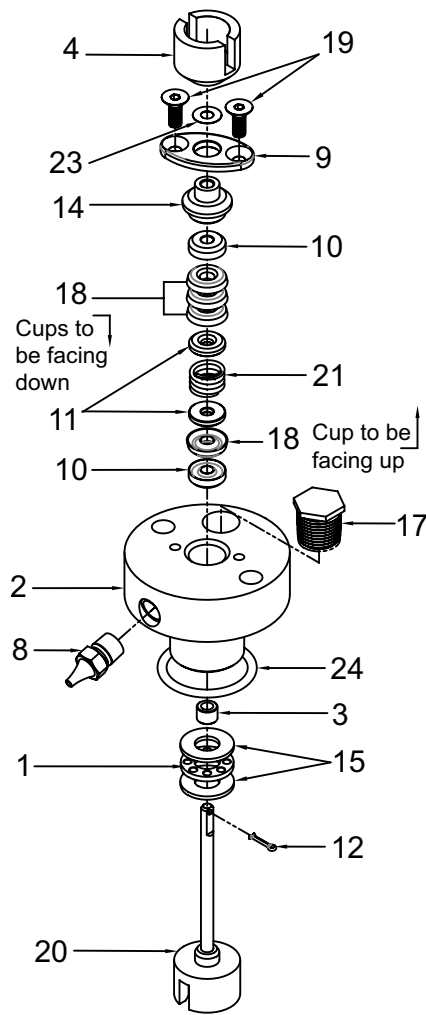
HP-12



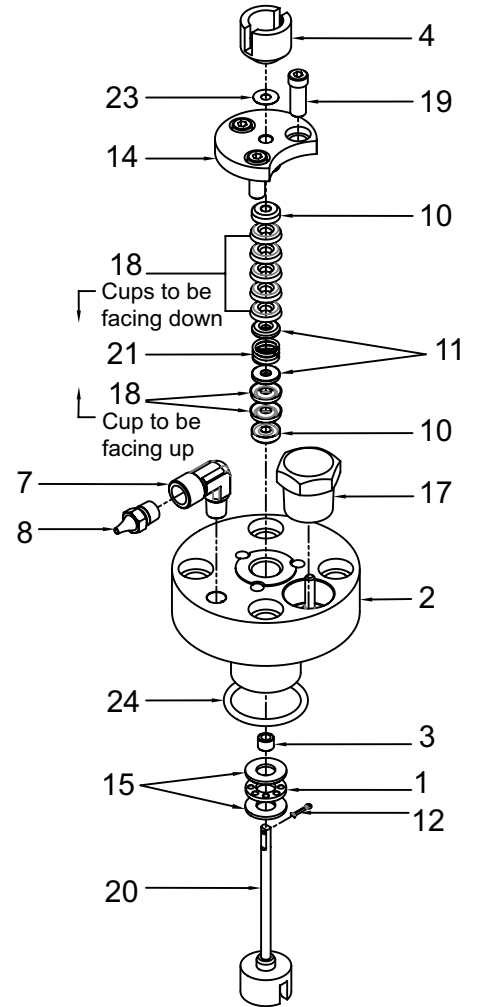
PG-30
Low Temperature



PG-30



PG-144

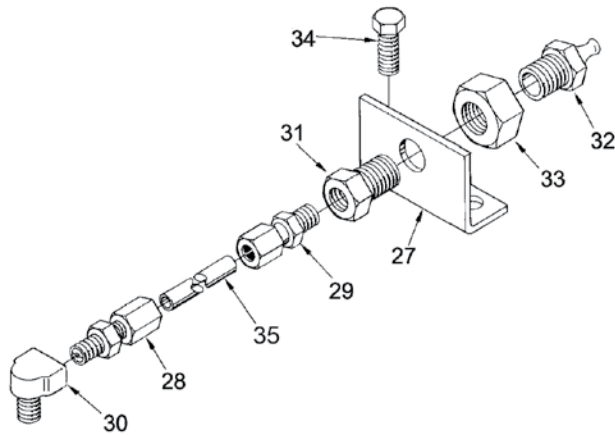


Item	Description	Qty.	HP-2	HP-4	HP-12	PG-30	PG-144
1	+ Bearing, Thrust:						
	Standard.....	1	070360-001	070360-001	070360-002	070360-001	070360-001
	PTFE ¹	1	070360-001	070360-001	070360-001	070360-001	070360-001
2	Body:						
	PTFE ¹	1	551135-099	500349-099	513645-099	515850-099
	NACE.....	1	070316-002	551135-001	500349-001	551180-001	551546-001
	Low Temp. Material PD Meters	1	P8000016146 ²
3	+ Bushing.....	1	012007-001	012007-001	065313-001	012007-001	012007-001
4	Coupling	1	515554-001	515554-001	500343-001	515554-001	515554-001
5	Cover, Gland.....	1	500350-001
6	+ Bushing.....	1	065313-001
7	Elbow.....	1	065281-001	645234-401
8	Fitting, Lubrication	1	006408-001	006408-001	006408-001	006408-001
9	Flange.....	1	010171-001
10	Follower, Packing:						
	HP-12 Only.....	1	516747-001
	All Others.....	2	516619-001	516619-001	516619-001
11	Follower, Spring:						
	HP-12 Only.....	1	516748-001
	All Others.....	2	516618-001	516618-001	516618-001
12	Pin, Cotter, 1/16 x 3/8".....	1	009825-400	009825-400	009825-400	009825-400
13	Pin, Roll, 3/32 x 5/8".....	1	644417-402
14	Plate, Gland.....	1	003290-001	002626-001	513647-001	517230-001
15	+ Plate, Thrust Bearing.....	2	001111-001	001111-001	001111-001	001111-001	001111-001
16	Plug, Pipe, 1/8" NPT:						
	Standard.....	1	642463-404
17	Reservoir, Oil:						
	Standard.....	1	012005-001	002627-001	513648-001	515855-001
	NACE.....	1	551134-001	513648-002	551436-001
18	+ Ring, Packing:						
	@1 Buna-N (Standard)	4	641839-401	641839-402	641839-401	641839-401
	@1 PTFE ¹	4	643184-401	643184-402	643184-401	643184-401
	@2 Rubber.....	2	645452-401
	R Low Temp. FKM ³	1	P8000017593	P8000017593
19	Screw:						
	Standard.....	#	006409-002	015170-400	015170-400	006764-002	006409-002
	NACE.....	#	060058-001	006764-002	006409-002
20	Shaft Assembly:						
	Standard.....	1	515548-001	515541-001	500348-001	513650-001	515852-001
	NACE.....	1	551182-001	515852-001
	Low Temp. FKM ³ Assembly	1	P8000020291 ²
21	Spring, Packing:						
	Standard.....	1	003294-001	002639-002	516836-001	002639-002	002639-002
	PTFE ¹	1	002639-003	516836-001	002639-003	002639-003
22	@2 Washer, Packing.....	2	012003-002
23	@2 Washer, Thrust	1	014312-001	014312-001	014312-001	641985-401
24	O-Ring:	1
	FKM ³	640894-403	640894-001
	PTFE ¹	645905-402	645905-403
	Buna	640173-023	640888-001
	Low Temperature FKM ³	P8000018189	P8000015342
25	Gasket	1	012009-001	011337-001	011337-001
26	Snap Ring ²	1	P8000020078 ²

1 Polytetrafluoroethylene (PTFE).

2 Only with low temperature material PD meters.

3 Fluoroelastomer (FKM).



Item	Description	Qty.	HP-2	HP-4	HP-12	PG-30	PG-144
Lubrication Kit for HP-2 and HP-4 Packing Glands							
27	Bracket	1	503555-001				
28	Connector, Ball Check.....	1	065280-001				
29	Connector, Tube	1	640677-002				
30	Elbow, Street	1	065281-001				
31	Fitting.....	1	500455-001				
32	Fitting.....	1	006408-001				
33	Nut, 5/8" - 18	1	006705-002				
34	Screw, 1/4-20 x 3/4"	2	002597-400				
35	Tubing, 1/4 x 9".....	1	505312-009				

General Assembly Numbers

Buna-N (Rubber on HP-2).....	070318-001	009652-001	500351-001	513644-001	515849-001
PTFE ¹	009652-002	500351-002	513644-002	515849-002
NACE with Buna-N.....	551132-001	551178-001	515849-001
NACE with PTFE ¹	551178-002	515849-002
NACE with Polyurethane.....	070318-002
Low Temperature FKM ³	P8000016147 ²

Low Pressure (150 psi) Packing Glands

Buna-N.....	518630-001
FKM ³	518630-002
PTFE ¹	009535-001
Brass/FKM ³	008934-001
Non-Ferrous/FKM ³	535160-001
NACE/FKM ³	551728-001
Gasket (needed with all of above).....	010173-001



- + Recommended stock.
- # Order quantity required.
- R Indicates change since last revision.
- @1 The PG-144 packing gland will require seven packing rings. The packing gland should be assembled properly such that the shaft rotates without binding.
- @2 Packing rings and packing washers (for Model HP-2 only) available in kit, Part No. 552000-001, to replace the previous design rings and washers. This may be the case if the assembly does not match this parts list explosion.

1 Polytetrafluoroethylene (PTFE).
 2 Only with low temperature material PD meters.
 3 Fluoroelastomer (FKM).

The specifications contained herein are subject to change without notice and any user of said specifications should verify from the manufacturer that the specifications are currently in effect. Otherwise, the manufacturer assumes no responsibility for the use of specifications which may have been changed and are no longer in effect. This is a technical description. Consult factory to find out which parts are available to sell.