

# TRIAS<sup>TM</sup>

CONTROLS

A Division of A-T Controls

## FR Series Filter Regulators



CE Ex II 2 G/D

1/4" Port, Aluminum  
1/2" or 3/4" Port, Aluminum or Stainless Steel

**A-T Controls, Inc.**

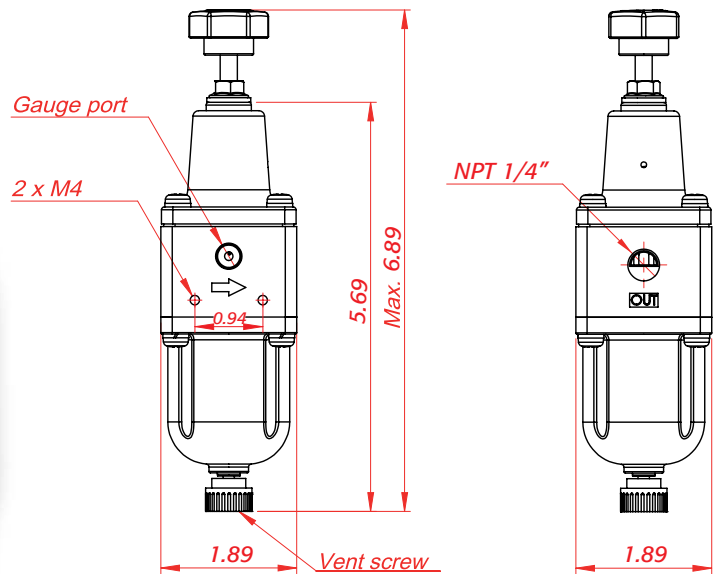
9955 International Blvd. (513) 247-5465  
Cincinnati, Ohio 45246 FAX (513) 247-5462  
www.atcontrols.com sales@atcontrols.com

# FR SERIES

# FR

## Air Filter Regulators with 1/4" ports

The FR Series valve air unit is essential to providing clean and dry supply air to valve positioners, solenoid valves and pneumatic actuators.



**Dimensions (IN)**  
1/4" Port

### 1/4" Port Specifications

	ALUMINUM	STAINLESS
MODEL	FR-10	FR-20
Port Size	1/4" NPT	1/4" NPT
Housing Material	Aluminum die-cast	Stainless Steel 316
Fluid	Air	
Output Pressure Range	60 psi / 120 psi	
Max Supply Pressure	225 psi	
Operating and Fluid Temperature (standard)	-4°F to 160°F	
Supply Air	Filtered compressed, dry and non-oiled air (up to 5 micron)	
Gauge Port Size	1/8"	
Filtration	5 micron	
Pressure Gauge Material	Stainless Steel	
Weight	1.1 lbs	2.2 lbs

### Features

- Rugged aluminum die-cast housing
- Optional stainless steel 316 housing
- High or Low Temp options available
- Stable setting pressure
- High capacity with 5 micron filter
- Self-relief function to balance output and setting pressure
- High flow capacity
- Manual Drain

## Features

- Rugged aluminum die-cast or stainless steel 316 housing
- Excellent stability and repeatability
- Outstanding sensitivity with precise setting
- High or Low Temp options available
- High capacity with 5 micron filter
- Self-relief function to balance output and setting pressure
- High flow capacity
- Auto-drain (float type) or manual drain option

# FR

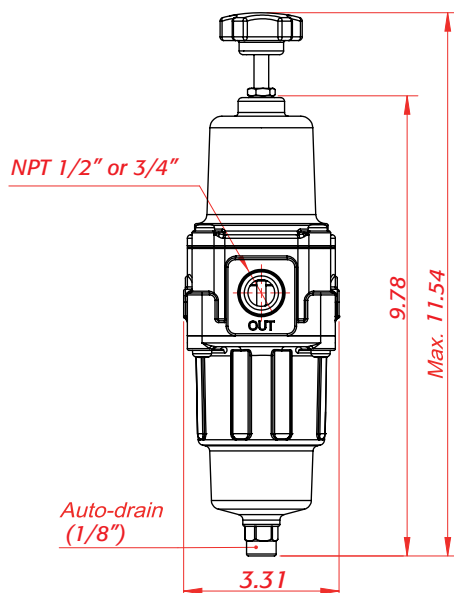
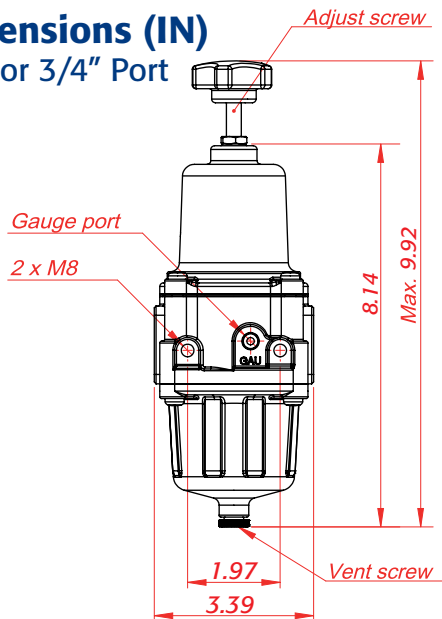
## Air Filter Regulator

with 1/2" or 3/4" ports

**FR**  
SERIES

## Dimensions (IN)

1/2" or 3/4" Port



## 1/2" or 3/4" Port Specifications

MODEL	ALUMINUM		STAINLESS	
	FR-12	FR-13	FR-22	FR-23
Port Size	1/2" NPT	3/4" NPT	1/2" NPT	3/4" NPT
Housing Material	Aluminum die-cast		Stainless Steel 316	
Fluid	Air			
Output Pressure Range	60 psi / 120 psi			
Max Supply Pressure	225 psi			
Operating and Fluid Temperature (standard)	-4°F to 160°F			
Supply Air	Filtered compressed, dry and non-oiled air (up to 5 micron)			
Gauge Port Size	1/8"			
Filtration	5 micron			
Pressure Gauge Material	Stainless Steel			
Weight	3.52 lbs		7.48 lbs	

## How to Order TRIAC® Filter Regulators

Series	
<b>FR</b>	Triac FR Series Air Filter Regulator

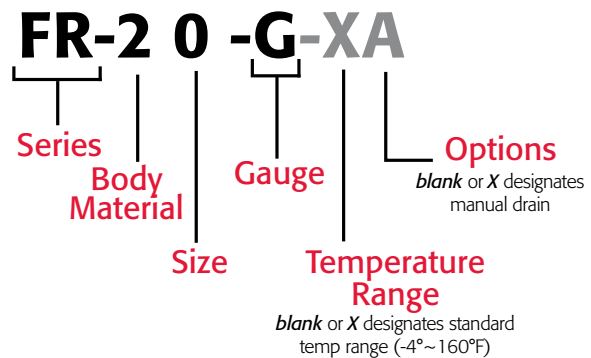
Body Material	
<b>1</b>	Aluminum Die-Cast
<b>2</b>	316 Stainless Steel

Size (NPT)	
<b>0</b>	1/4"
<b>2</b>	1/2"
<b>3</b>	3/4"

Gauge	
<b>G</b>	Stainless Steel Gauge (standard)

Temperature Range		
<b>Blank (X)</b>	-4°F to 160°F	Standard
<b>1</b>	-4°F to 250°F	High Temp
<b>2</b>	-40°F to 175°F	Low Temp

Miscellaneous Options		Note: Add all miscellaneous options to end of part number
<b>Blank (X)</b>	Manual Drain	(standard)
<b>A</b>	Auto Drain	(1/2" or 3/4" only)



### Example

#### FR-10-G

1/4" NPT Air Filter Regulator 0-120PSI - Aluminum Die-cast body with SST Gauge, 5 Micron filter, Standard temp (-4°F-160°F) and manual drain

#### FR-22-G-XA

1/2" NPT Air Filter Regulator 0-120PSI - 316 Stainless Steel Body and Gauge, 5 Micron filter, Standard temp (-4°F-160°F), with Auto Drain

A-T Controls reserves the right to change product designs and technical/dimensional specifications without notice. See website for updates.



9955 International Blvd. (513) 530-5175 or (513) 247-5465  
Cincinnati, Ohio 45246 FAX (513) 247-5462  
www.atcontrols.com sales@atcontrols.com